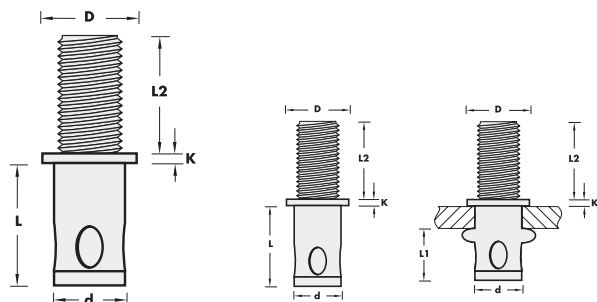


SURUBURI NITUIITE

Seria 29

MATERIAL	PROTECTIE
OTEL	PASIVATA



Dimensiuni (mm)

	L	L1	$\begin{matrix} \downarrow \\ \uparrow \end{matrix}$	L2	Cod Produs	
M4	\varnothing : 5.5	8.5	4	0.5- 2.0	10	29M042010
	d \varnothing : 5.4	8.5	4	0.5- 2.0	15	2015
	D \varnothing : 8.0	9.5	4	2.0- 3.0	10	3010
	k : 0.5	9.5	4	2.0- 3.0	15	3015

	L	L1	$\begin{matrix} \downarrow \\ \uparrow \end{matrix}$	L2	Cod Produs	
M6	\varnothing : 7.8	11.0	6	0.5- 2.5	10	29M062510
	d \varnothing : 7.7	11.0	6	0.5- 2.5	15	2515
	D \varnothing : 10.0	12.5	6	2.5- 4.0	10	4010
	k : 1.0	12.5	6	2.5- 4.0	15	4015

	L	L1	$\begin{matrix} \downarrow \\ \uparrow \end{matrix}$	L2	Cod Produs	
M5	\varnothing : 6.6	10.0	5	0.5- 2.0	10	29M052010
	d \varnothing : 6.5	10.0	5	0.5- 2.0	15	2015
	D \varnothing : 9.0	11.0	5	2.0- 3.5	10	3510
	k : 0.8	11.0	5	2.0- 3.5	15	3515

	L	L1	$\begin{matrix} \downarrow \\ \uparrow \end{matrix}$	L2	Cod Produs	
M8	\varnothing : 9.9	14.0	8	1.0- 3.0	15	29M083015
	d \varnothing : 9.8	14.0	8	1.0- 3.0	20	3020
	D \varnothing : 12.0	16.0	8	3.0- 5.0	15	5015
	k : 1.5	16.0	8	3.0- 5.0	20	5020

SURUBURI NITUIITE