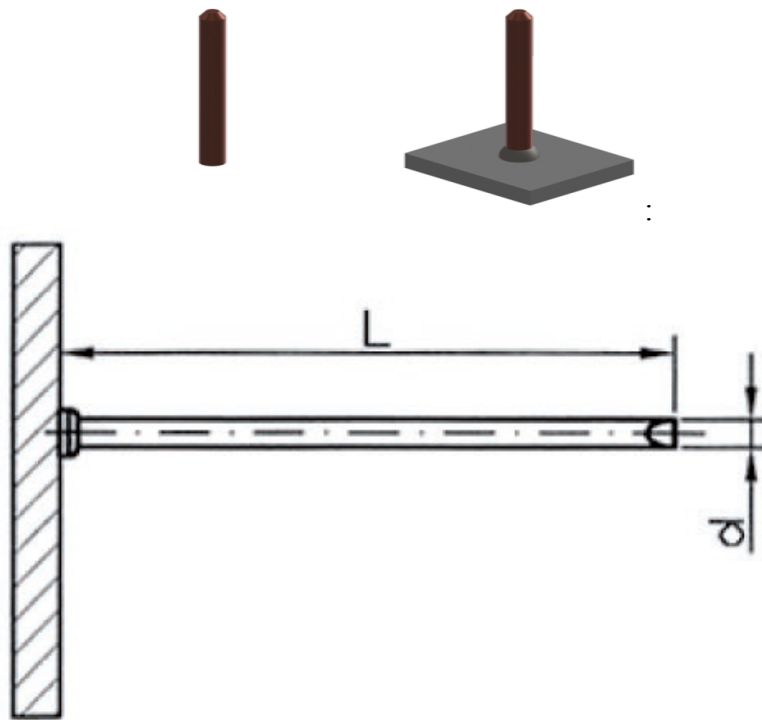


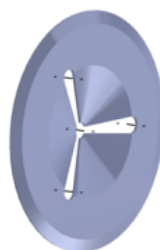
# Pini de izolatie si clipsuri

## Pini de izolatie tip ARC -IS



Diametru : 3 mm , 4 mm , 5 mm  
Lungimi : de la 25 – 800 mm

## Clipsuri de tip R



### Dimensions:

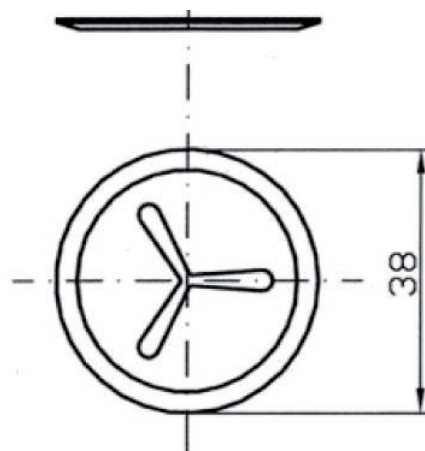
- diameter 38 mm

### Varieties:

- Type 3R - galvanized steel
- Type 3R - stainless steel 1.4571
- Type 4R - galvanized steel
- Type 4R - stainless steel 1.4571
- Type 5R - galvanized steel
- 5R type - stainless steel 1.4571

### Material:

- Copper steel
- Chrome nickel steel 1.4571
- Other materials and dimensions on request



## Clipsuri de tip WN (DECORATIV)

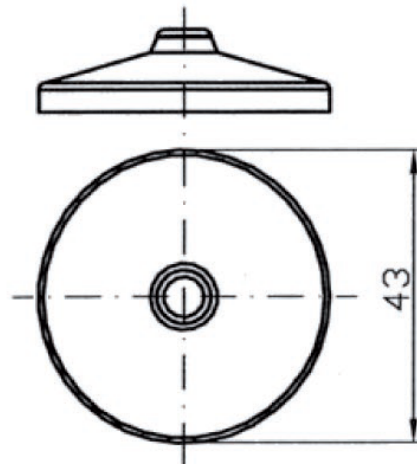


### Dimensions:

- diameter 43 mm

### Varieties:

- Type 3R - galvanized steel
- Type 3R - stainless steel 1.4571
- Type 4R - galvanized steel
- Type 4R - stainless steel 1.4571
- Type 5R - galvanized steel
- 5R type - stainless steel 1.4571



## Bimetal pin type VBS (aluminum)

### sizes

- 3 x 30 - 245 mm

### Material

- galvanized steel
- stainless steel 1.457

### Dimensions:

- diameter 43 mm

### Varieties:

- Type 3R - galvanized steel
- Type 3R - stainless steel 1.4571
- Type 4R - galvanized steel
- Type 4R - stainless steel 1.4571
- Type 5R - galvanized steel
- 5R type - stainless steel 1.4571

